



ACME ENGINEERING & MANUFACTURING CORP.
P.O. Box 978
Muskogee, OK 74402
Phone: 918/682-7791
Fax: 918-682-0134
www.acmefan.com

Aluminum Blade Venturi Exhaust Fans Model DLD



Achieve efficient, economical ventilation in industrial/commercial clean air applications. Fans are shipped assembled and have 2-and 3-wing stamped-aluminum fan blades. Heavy-duty venturi panel, fixed-position motor base with rigid supports. Motors are totally enclosed.

Performance

Model	Propeller Dia. (In.)	CFM Air Delivery*				Motor RPM	HP	Max BHP	Sones(**) 5 Ft. 1/8" SP	Watts
		0.0" SP	0.125" SP	0.250" SP	0.375" SP					
DLD-E12E	12	1477	1329	1094	767	1725	1/4	.16	12.8	290
DLD-E16E	16	2512	2365	2172	1915	1725	1/4	.25	21	400
DLD-E18E	18	2958	2752	2521	2217	1725	1/4	.25	19.0	390
DLD-E18F	18	3348	3125	2876	2570	1725	1/3	.33	21	475
DLD-E20F	20	3664	3364	3071	2757	1725	1/3	.33	17.8	495
DLD-E24F	24	3931	3315	2513	1174	1140	1/3	.33	13.3	335
DLD-E24G1	24	4348	3894	3406	2843	1725	1/2	.50	21	490
DLD-E20G	20	4403	4158	3897	3565	1725	1/2	.50	19.5	513
DLD-E24G2	24	5230	4891	4550	4200	1725	1/2	.50	30	672
DLD-E30H	30	8722	8104	7440	6724	1140	3/4	.75	23	783

(*) Performance certified is for Installation Type A, Free inlet, Free Outlet. Speed (RPM) shown is nominal. Performance is based on actual speed of test. Performance ratings do not include the effects of appurtenances in airstream. (**) The sound ratings shown are loudness values in fan sones at 5 ft. (1.5 m) in a hemispherical-free field calculated per AMCA Standard 301. Values shown are for Installation Type A free inlet fan sone levels.



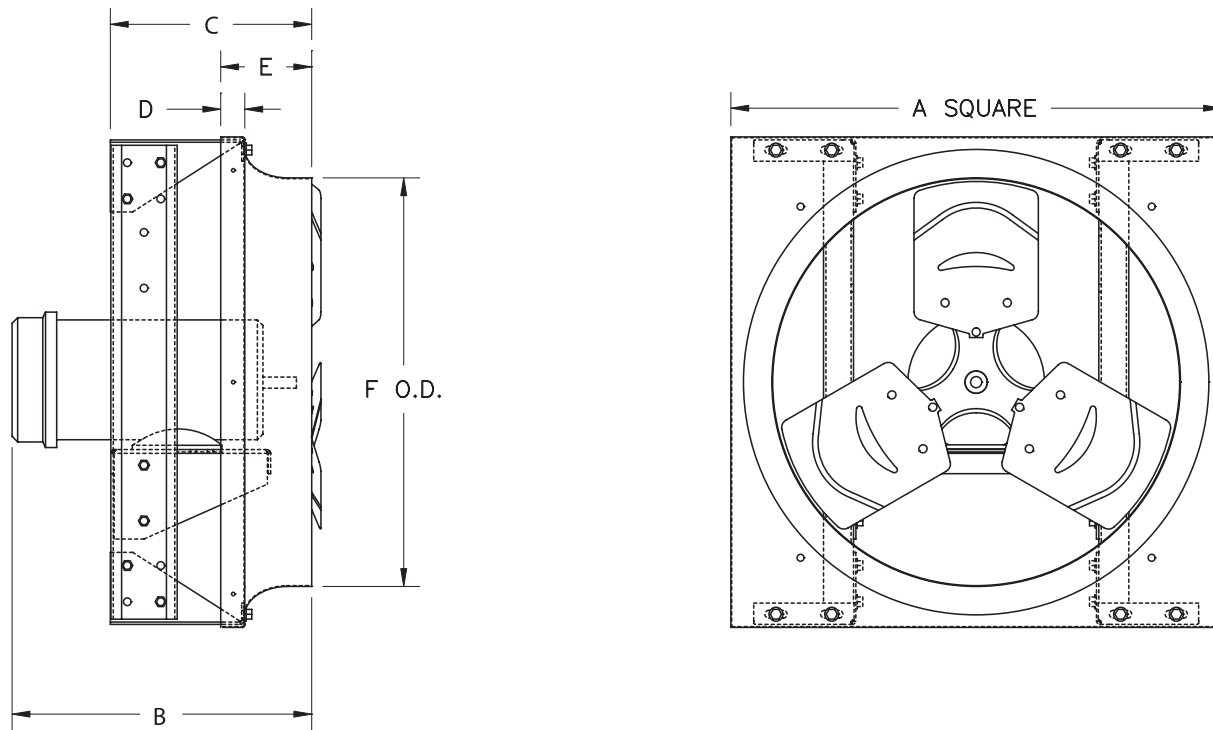
Acme Engineering & Manufacturing Corporation certifies that the ventilators shown herein are licensed to bear the AMCA seal. The ratings shown are based on tests and procedures performed in accordance with AMCA Publication 211 and AMCA Publication 311 and comply with the requirements of the AMCA Certified Ratings Program.



U.L. 705 Listed

Consult your Acme representative for availability.

Dimensions



Model	Propeller Dia.	A Sq.	B Max	C Max	D	E	F
DLD-E12	12"	16"	14 $\frac{1}{16}$ "	8 $\frac{1}{2}$ "	1"	2 $\frac{15}{16}$ "	12 $\frac{1}{4}$ "
DLD-E16	16	20	12 $\frac{13}{16}$	7 $\frac{7}{8}$	1	3 $\frac{9}{16}$	16 $\frac{5}{16}$
DLD-E18	18	22	13 $\frac{7}{16}$	9	1 $\frac{1}{16}$	4 $\frac{1}{16}$	18 $\frac{5}{16}$
DLD-E20	20	24	15 $\frac{7}{16}$	9 $\frac{7}{8}$	1	4 $\frac{1}{2}$	20 $\frac{3}{8}$
DLD-E24	24	28	11 $\frac{7}{8}$	11 $\frac{1}{8}$	1	4 $\frac{15}{16}$	24 $\frac{7}{16}$
DLD-E30	30	34	15 $\frac{15}{16}$	12 $\frac{5}{8}$	1 $\frac{1}{16}$	5 $\frac{5}{8}$	30 $\frac{1}{2}$

LIMITED WARRANTY Acme Engineering and Manufacturing Corporation extends this limited warranty to the original purchaser and warrants that products described herein shall be free from original defects in workmanship and materials for two years from date of shipment (except for Acme's exclusive duplex split pillow block bearings and shaft 5 years from shipment, belts one year from shipment, and polyethylene tubing at 90 days from shipping), provided same have been properly handled, stored, installed, serviced, maintained and operated. Refer to Form MS149 for complete limited warranty terms and conditions. This form is available to anyone at www.acmefan.com. The Company's warranty is in lieu of all other warranties, express or implied, arising by law or otherwise, including without limitation the implied warranties of merchantability and fitness for a particular purpose, which are hereby expressly disclaimed and waived.

Acme products are designed and manufactured to provide reliable performance but they are not guaranteed to be 100% free of defects. Even reliable products will experience occasional failures and this possibility should be recognized by the Purchaser and End User. If these products are used in a life support ventilation system where failure could result in loss or injury, the Purchaser and End User should provide adequate back-up ventilation, supplementary natural ventilation or failure alarm system, or acknowledge willingness to accept the risk of such loss or injury.

WARNING DO NOT use in HAZARDOUS ENVIRONMENTS where fan's electrical system could provide ignition to combustible or flammable materials unless unit is specifically built for hazardous environments. Comply with all local and national safety codes including the National Electrical Code (NEC) and National Fire Protection Act (NFPA). Guards must be installed when fan is within reach of personnel or within eight (8) feet

(2.5 m) of working level or when deemed advisable for safety.

DISCLAIMER The Company has made a diligent effort to illustrate and describe the products in this literature accurately; however, such illustrations and descriptions are for the sole purpose of identification, and do not express or imply a warranty that the products are merchantable, or fit for a particular purpose.

INDEMNITY Purchaser acknowledges various warnings by the Company regarding the products and its installation and use. If the Company incurs any claims, lawsuits, settlements, or expenses (including attorney fees) for any loss, injury, death or property damage including, but not limited to, claims arising out of the Purchaser's or any end user's installation or use of the products, the Purchaser shall indemnify and hold the Company harmless.